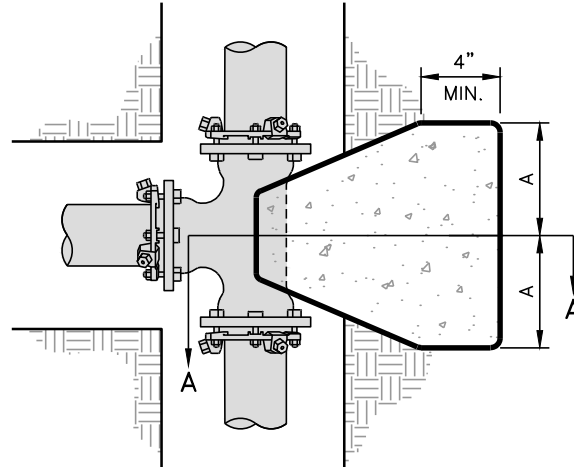
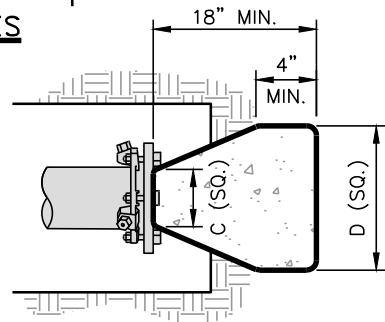


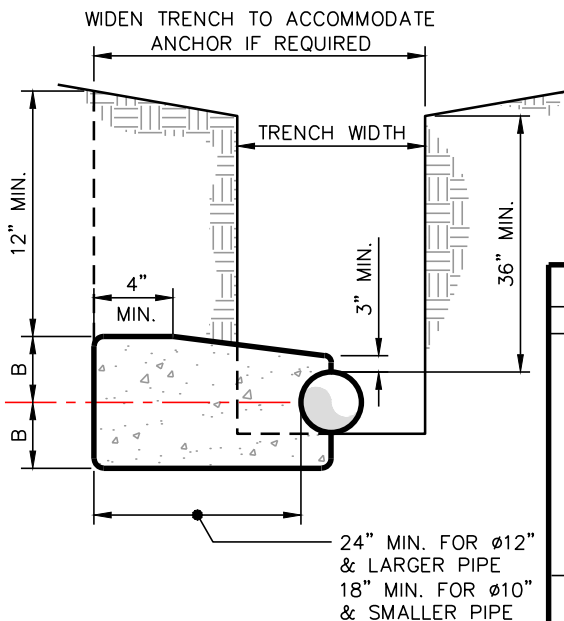
**BENDS**



**TEES**



**PLUGS**



**SECTION A-A**

TYPE	PIPE DIA.	90° BEND		45° BEND		22 1/2° BEND		TEES		PLUGS	
		A	B	A	B	A	B	A	B	C	D
4,000 P.S.F. SOIL 200 P.S.I. WATER	6	8"	10"	6"	8"	3"	8"	8"	8"	10"	15"
	8	12"	12"	8"	10"	5"	9"	9"	12"	12"	20"
	10	16"	14"	10"	12"	6"	10"	11"	14"	14"	25"
	12	19"	16"	12"	14"	8"	11"	14"	16"	16"	30"
	14	23"	18"	14"	16"	10"	12"	16"	18"	18"	34"
	16	26"	20"	16"	18"	11"	13"	18"	20"	20"	38"
	20	34"	24"	20"	22"	13"	17"	24"	24"	24"	48"
2,000 P.S.F. SOIL 200 P.S.I. WATER	24	41"	28"	24"	26"	15"	21"	29"	28"	30"	58"
	30	53"	34"	30"	32"	19"	27"	38"	34"	36"	72"
	6	16"	10"	9"	10"	6"	8"	10"	12"	10"	24"
	8	22"	13"	12"	13"	8"	10"	13"	16"	12"	32"
	10	26"	17"	14"	17"	10"	13"	16"	20"	14"	40"
	12	29"	21"	16"	21"	11"	16"	18"	24"	16"	48"
	14	35"	24"	19"	24"	12"	20"	22"	27"	18"	56"
16	38"	27"	21"	27"	13"	22"	24"	30"	20"	64"	
20	48"	33"	26"	33"	19"	24"	34"	34"	24"	80"	
24	64"	36"	37"	34"	25"	26"	45"	36"	30"	96"	
30	93"	39"	52"	38"	36"	28"	66"	39"	36"	120"	

**NOTES:**

1. CONCRETE BLOCKING IS TO BE FORMED TO ENSURE ACCESSIBILITY TO FITTINGS AND POURED AGAINST UNDISTURBED EARTH.
2. FITTINGS ARE TO BE COMPLETELY WRAPPED WITH PLASTIC, PRIOR TO POURING CONCRETE.
3. CONCRETE TO BE MINIMUM 3,000 PSI. @ 28 DAYS.
4. WHEN SACKRETE IS TO BE USED, IT SHALL BE PROPERLY MIXED PER MANUFACTURER SPECIFICATIONS.



TITLE:  
**THRUST BLOCKS FOR HORIZONTAL PIPE BENDS**  
PO BOX 1436  
900 S. BECKFORD DRIVE  
HENDERSON, NC 27536

**CITY OF HENDERSON**

252-430-5728  
(fax) 252-431-0124  
www.ci.henderson.nc.us

REV DATE:  
5/18/16  
SCALE:  
NTS

DWG NO:  
W.012  
SHEET #:  
1 OF 1