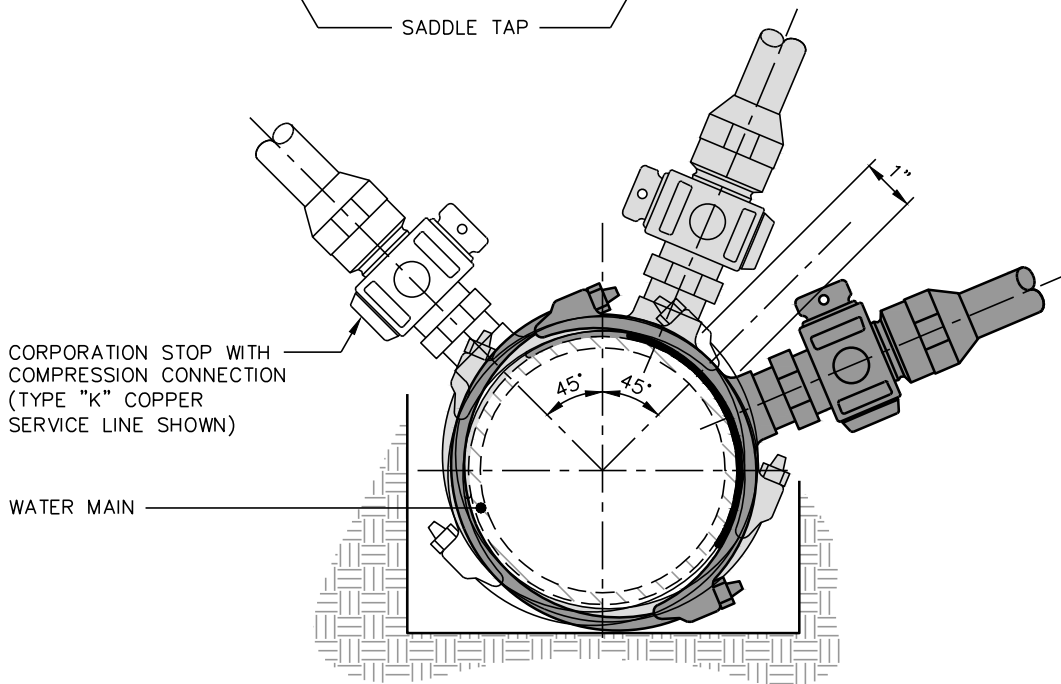
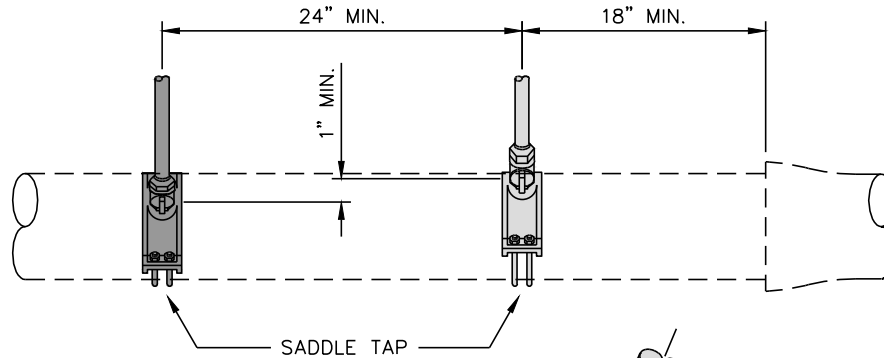


PART	MANUFACTURER MODEL / CAT. NO.
SADDLE (BRASS OR BRONZE FOR "CC" THREADS)	FORD / 202B MUELLER / BR2B SMITH BLAIR / 323-000 SERIES (OR APPROVED EQUAL)
CORP. STOP (BRASS OR BRONZE FOR "CC" THREADS)	MUELLER / H-15008 SERIES FORD / FB1000G A.Y. McDONALD / 4701T (OR APPROVED EQUAL)



SADDLE TAP

NOTES:

- IF 2 TAPS ARE MADE ON EACH SIDE OF THE MAIN THERE SHALL BE A MINIMUM OF 24" HORIZONTAL SEPERATION. MULTIPLE TAPS ON THE SAME SIDE SHALL HAVE A MINIMUM 24" HORIZONTAL SEPERATION AND STAGGERED A MINIMUM OF 1" VERTICALLY TO PREVENT DAMAGE TO THE MAIN.



TITLE:	STANDARD WATER TAP (3/4' - 1' TAPS)	REV DATE:	7/30/15	DWG NO:	W.005
PO BOX 1436 900 S. BECKFORD DRIVE HENDERSON, NC 27536	CITY OF HENDERSON	252-430-5728 (fax) 252-431-0124 www.ci.henderson.nc.us	SCALE:	NTS	SHEET #: 1 OF 1